



US00D437957S

(12) **United States Design Patent** (10) **Patent No.:** **US D437,957 S**
Borders et al. (45) **Date of Patent:** **** Feb. 20, 2001**

- (54) **SURGICAL LIGHT APPARATUS**
- (75) Inventors: **Richard L. Borders**, Cincinnati, OH (US); **Dennis C. Coon**, Erie, PA (US)
- (73) Assignee: **Hill-Rom, Inc.**, Batesville, IN (US)
- (**) Term: **14 Years**
- (21) Appl. No.: **29/085,726**
- (22) Filed: **Mar. 30, 1998**
- (51) **LOC (7) Cl.** **26-05**
- (52) **U.S. Cl.** **D26/65**
- (58) **Field of Search** D26/60-66; 362/804, 362/413, 418, 419, 427, 269, 271, 274, 275, 277, 282, 283, 285, 287

- (56) **References Cited**
- U.S. PATENT DOCUMENTS**
- | | | | | |
|------------|---|---------|----------------------|---------|
| D. 214,188 | * | 5/1969 | Lauterbach | D26/60 |
| D. 297,056 | * | 8/1988 | Sesiak | D26/65 |
| 3,240,925 | * | 3/1966 | Paschke et al. | 362/418 |
| 3,927,313 | * | 12/1975 | Herold | 362/804 |
| 4,032,771 | | 6/1977 | Ilzig . | |
| 4,037,096 | | 7/1977 | Brendgord et al. . | |
| 4,280,167 | | 7/1981 | Ellett . | |
| 4,288,844 | | 9/1981 | Fisher et al. . | |
| 4,395,750 | | 7/1983 | Scheidemann et al. . | |
| 4,517,632 | * | 5/1985 | Roos | 362/804 |
| 4,538,214 | * | 8/1985 | Fisher et al. | 362/804 |
| 4,844,252 | | 7/1989 | Barron et al. . | |
| 4,878,156 | | 10/1989 | Hallings et al. . | |
| 4,974,288 | | 12/1990 | Reasner . | |
| 5,001,616 | | 3/1991 | Gehly et al. . | |
| 5,025,359 | | 6/1991 | Saluja et al. . | |

(List continued on next page.)

OTHER PUBLICATIONS

Berchtold Corporation, "Chromophare® C-571 Superior lighting technology is the secret of our success", Feb. 1995, 8 pages.

Berchtold Corporation, Chromophare® C-570 Service Manual, date unknown, 20 pages.

Primary Examiner—Susan J. Lucas
(74) *Attorney, Agent, or Firm*—Barnes & Thornburg

(57) **CLAIM**

The ornamental design for a surgical light apparatus, as shown and described.

DESCRIPTION

FIG. 1 is a perspective view of a surgical light apparatus showing a first embodiment of our new design in a first articulated position;

FIG. 2 is a side elevational view of the first embodiment of our new design in a second articulated position;

FIG. 3 is a rear elevational view thereof;

FIG. 4 is a front elevational view thereof;

FIG. 5 is a top plan view thereof;

FIG. 6 is a bottom plan view thereof;

FIG. 7 is a perspective view of a surgical light apparatus showing a second embodiment of our new design in a first articulated position;

FIG. 8 is a side elevational view of the second embodiment of our new design in a second articulated position;

FIG. 9 is a rear elevational view thereof;

FIG. 10 is a front elevational view thereof;

FIG. 11 is a top plan view thereof;

FIG. 12 is a bottom plan view thereof;

FIG. 13 is a perspective view of a surgical light apparatus showing a third embodiment of our new design in a first articulated position;

FIG. 14 is a first side elevational view of the third embodiment of our new design in a second articulated position;

FIG. 15 is a second side elevational view thereof;

FIG. 16 is a rear elevational view thereof;

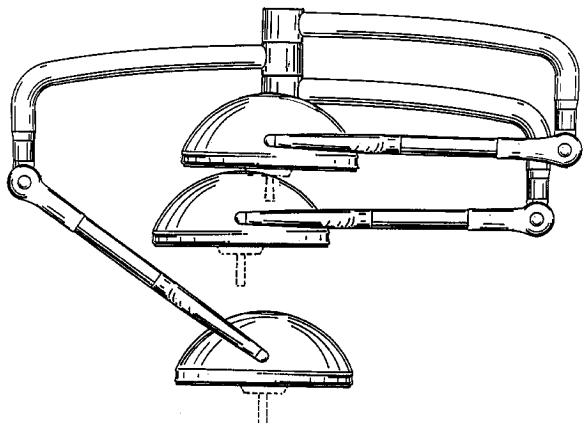
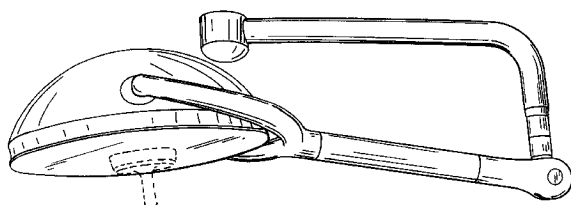
FIG. 17 is a front elevational view thereof;

FIG. 18 is a top plan view thereof; and,

FIG. 19 is a bottom plan view thereof.

The broken lines in FIGS. 1-4, 6-10, 12-17, and 19 are for illustrative purposes only and form no part of the claimed design.

1 Claim, 9 Drawing Sheets



US D437,957 S

Page 2

U.S. PATENT DOCUMENTS					
		5,188,454	2/1993	Quintanilla et al. .	
		5,355,292	10/1994	Hoftman et al. .	
5,036,446	7/1991	5,599,093	2/1997	Hoftman et al. .	
5,038,261	8/1991	5,604,955	2/1997	Horan .	
5,065,296	11/1991	6,012,821	* 1/2000	Yeaney et al.	362/804
5,156,456	10/1992				
5,165,786	* 11/1992	Hubert	362/418	* cited by examiner	

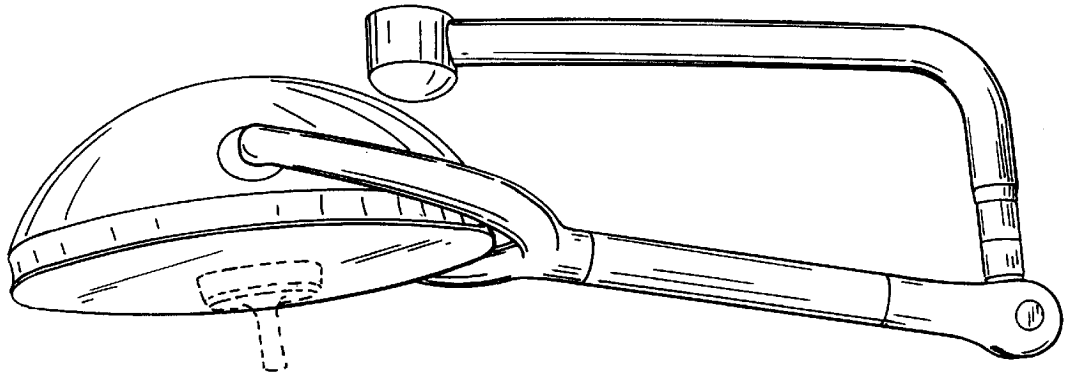


FIG 1

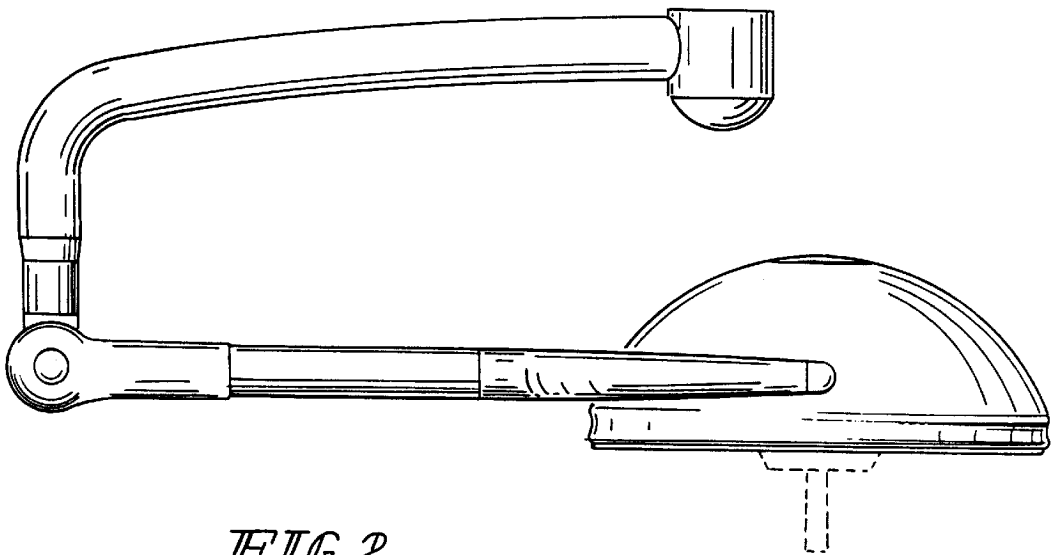


FIG 2

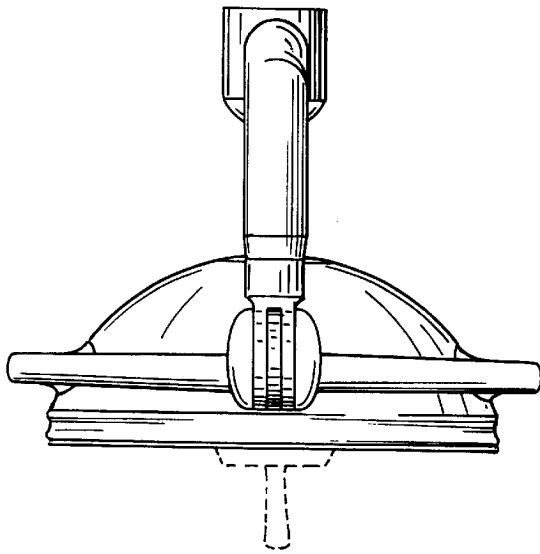


FIG. 3

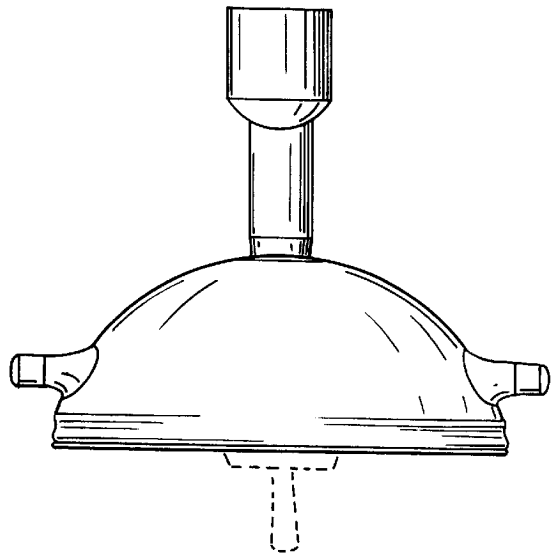


FIG. 4

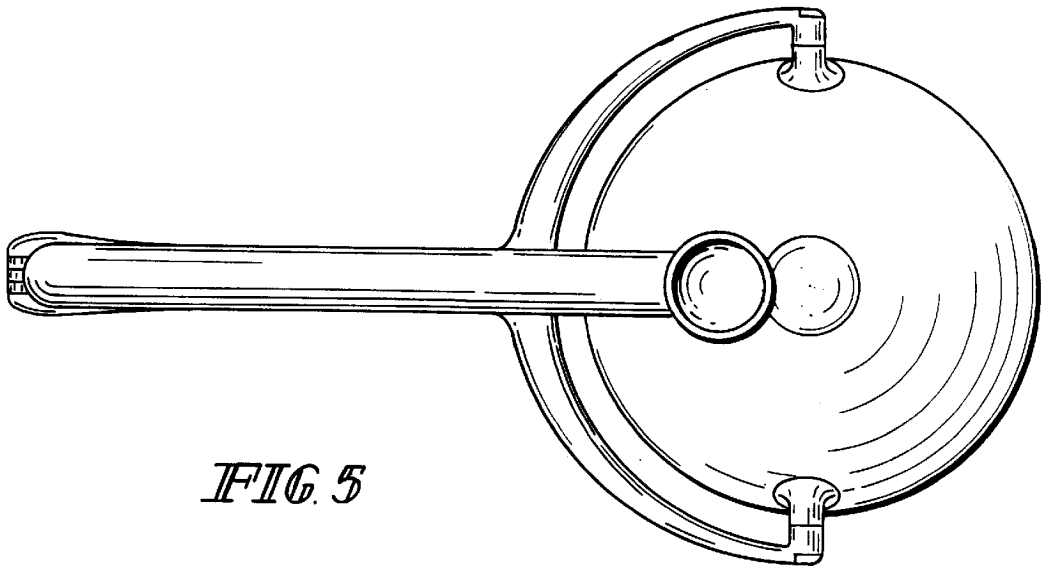


FIG. 5

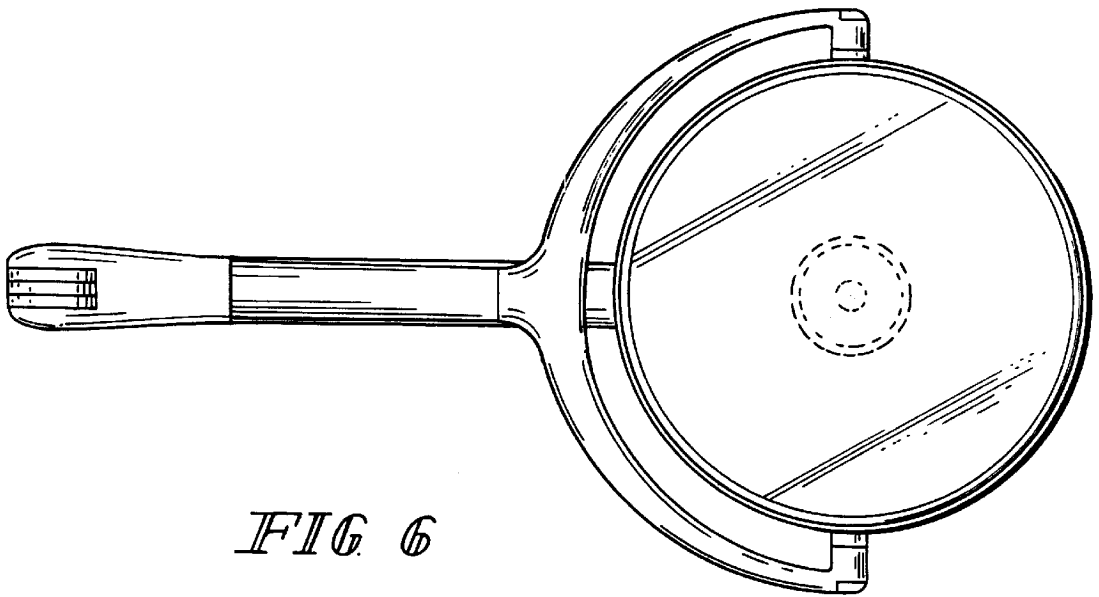


FIG 6

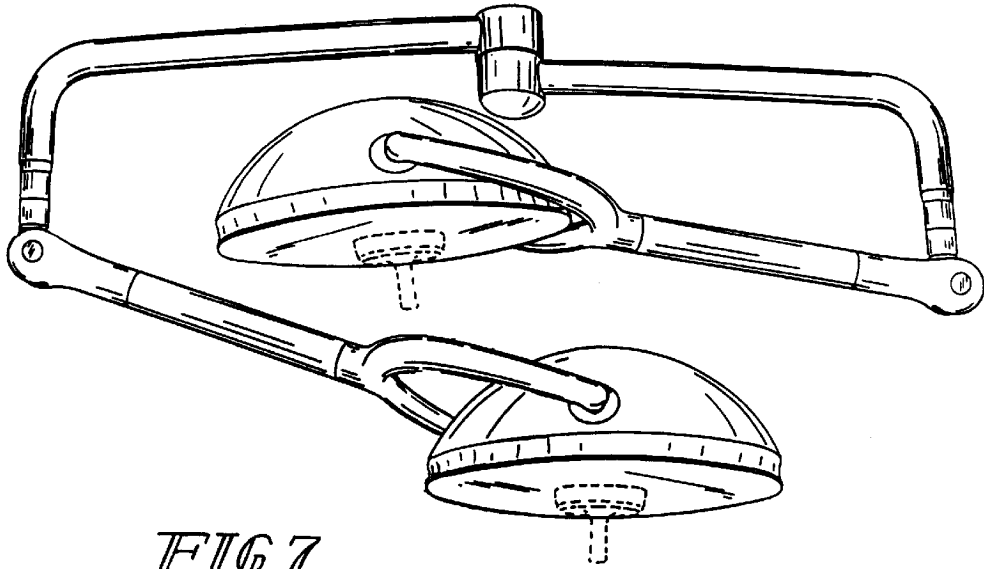


FIG. 7

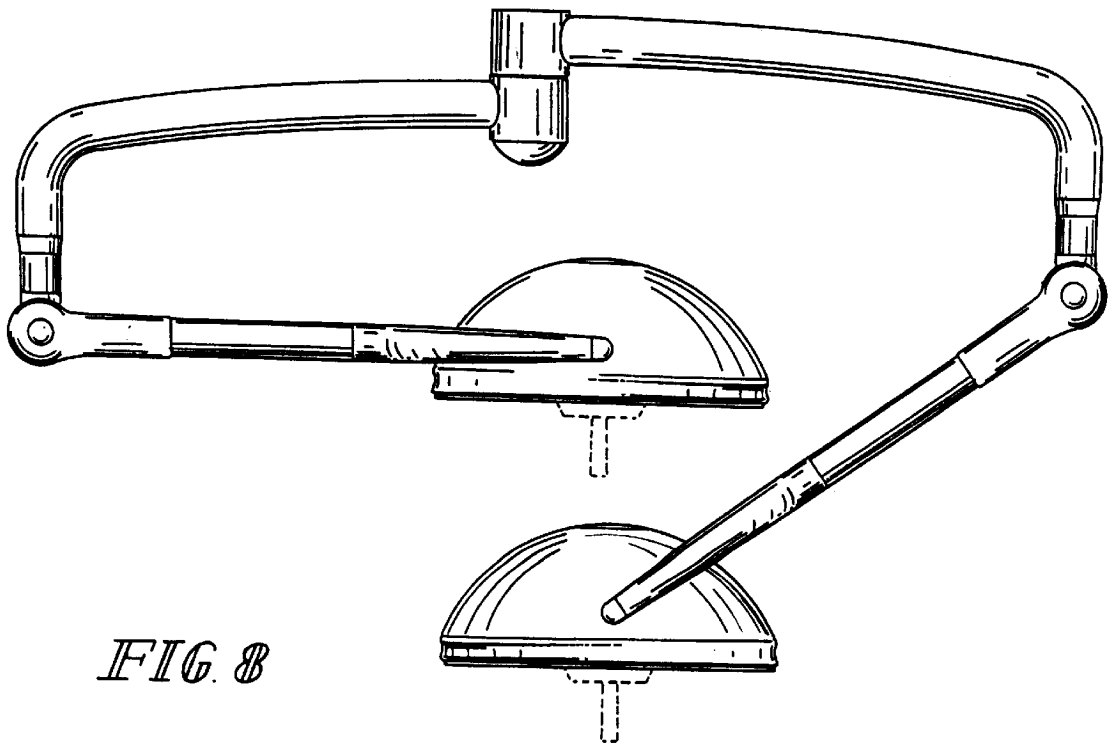


FIG. 8

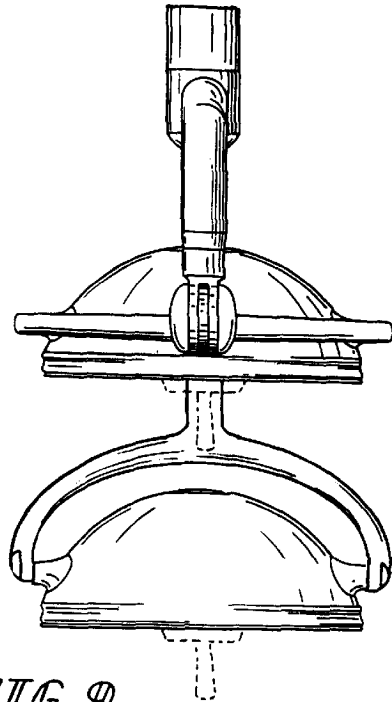


FIG. 9

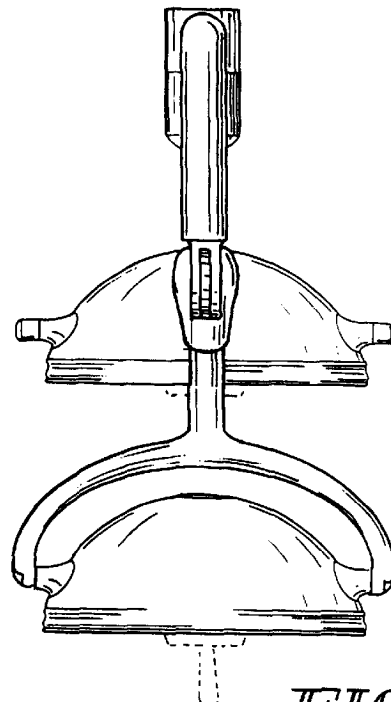


FIG. 10

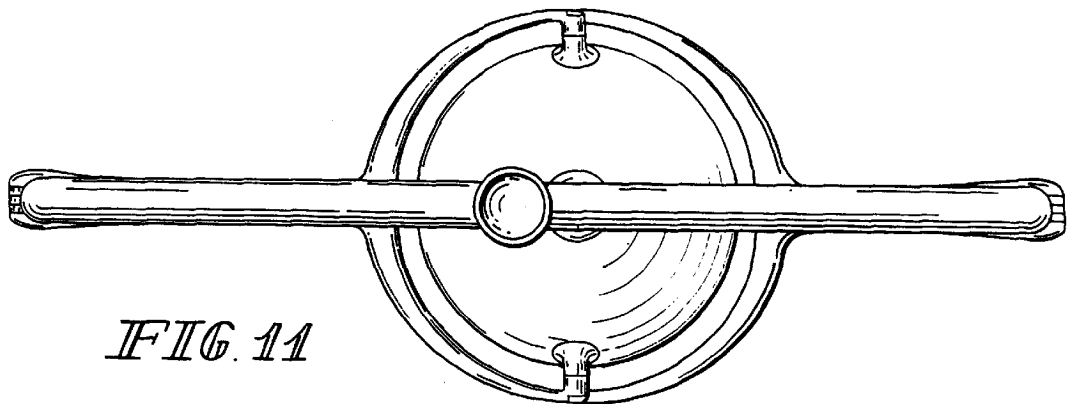


FIG. 11

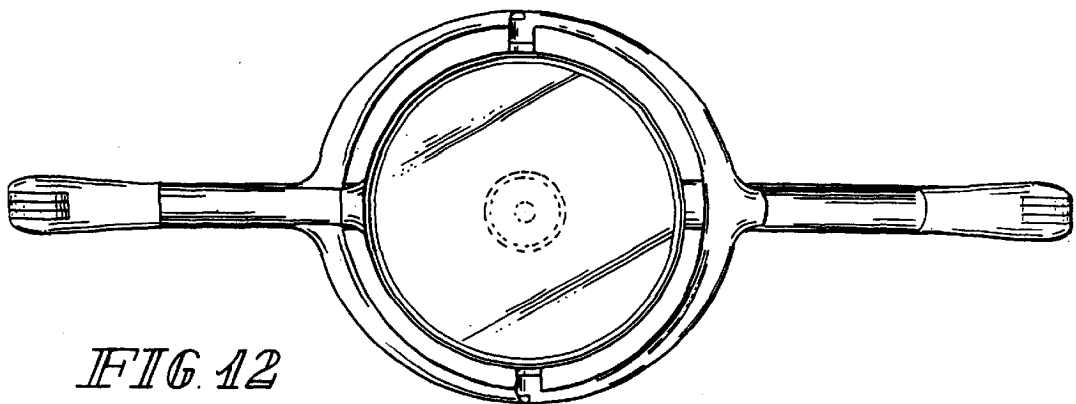


FIG. 12

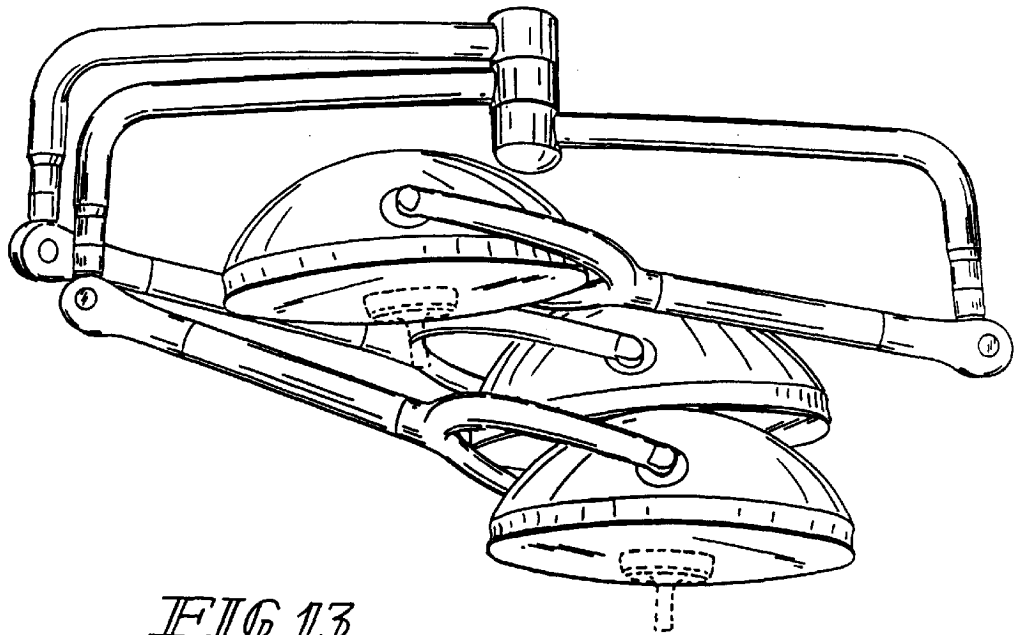


FIG. 13

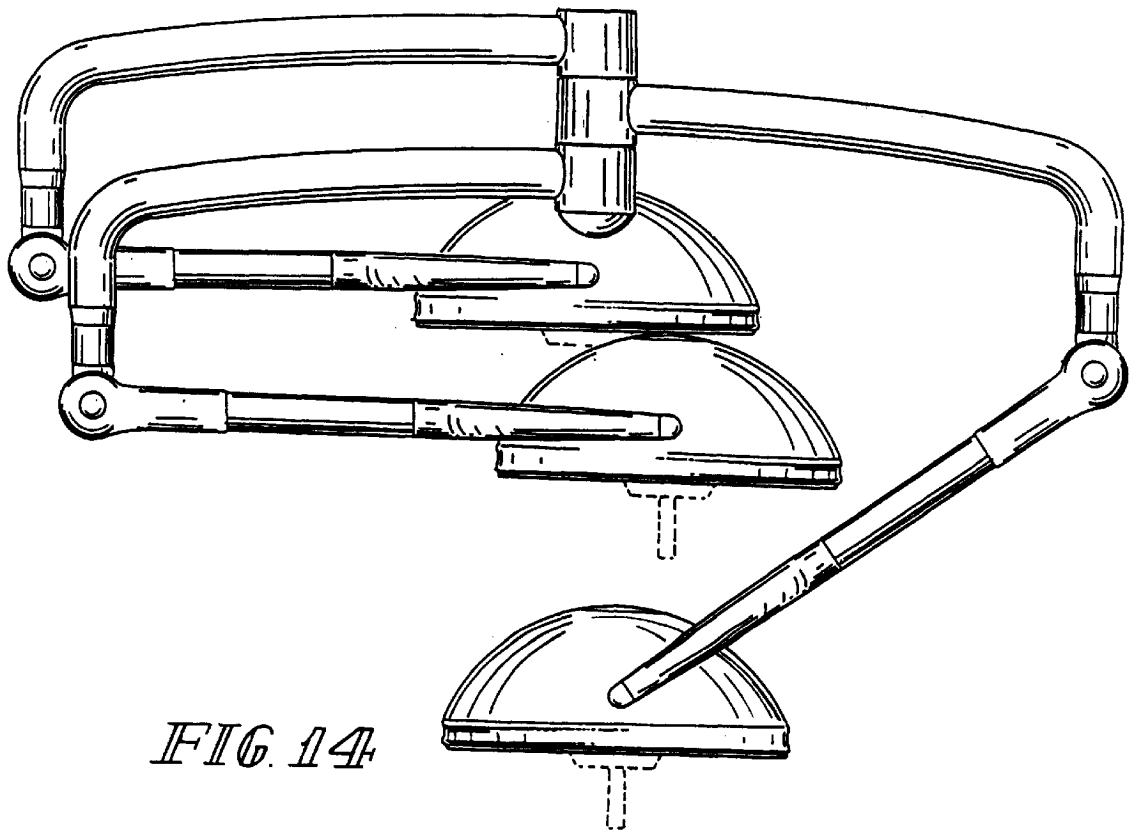


FIG. 14

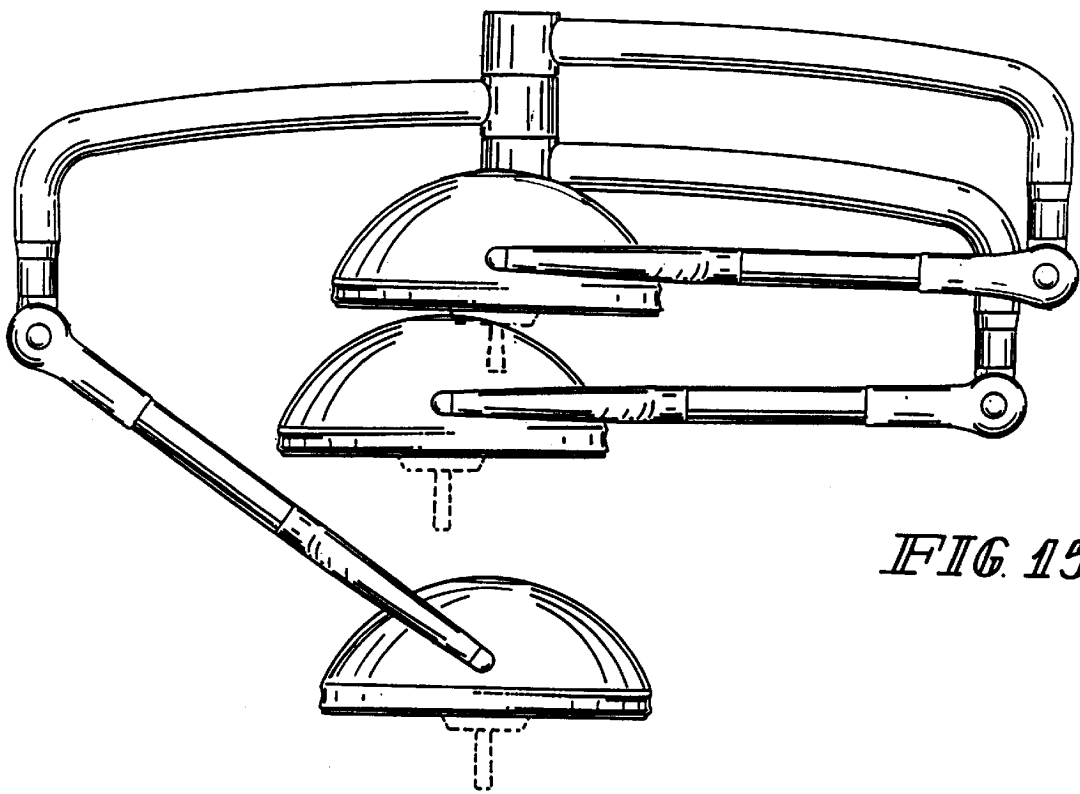


FIG. 15

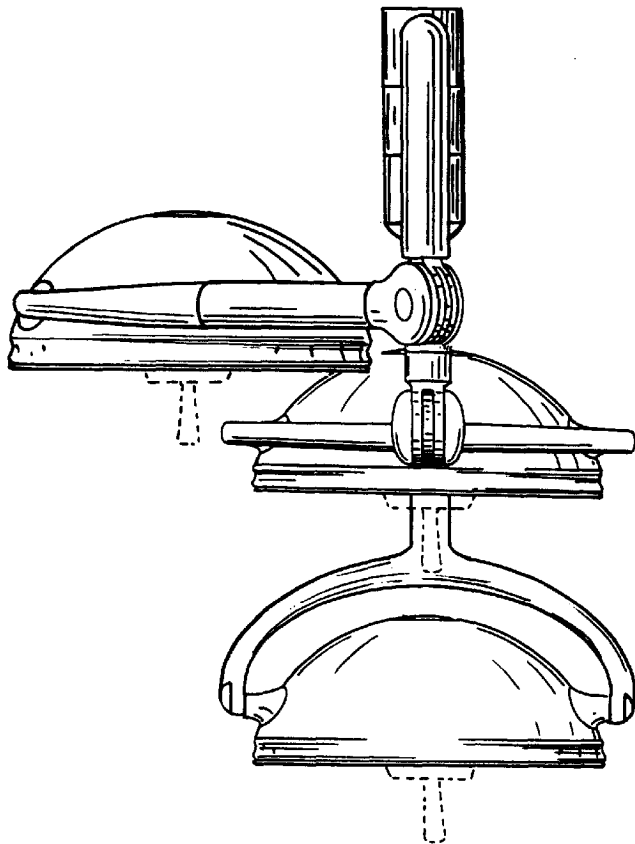


FIG. 16

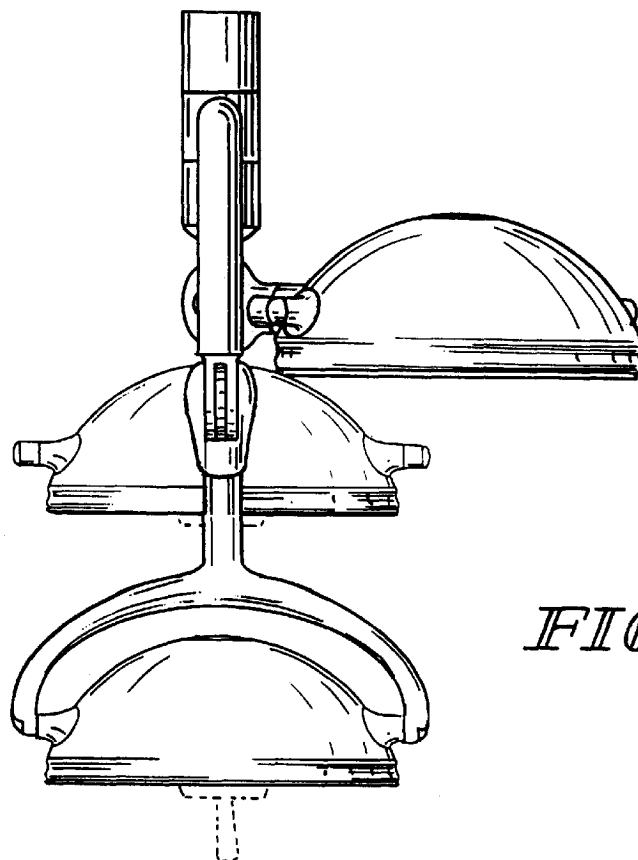


FIG. 17

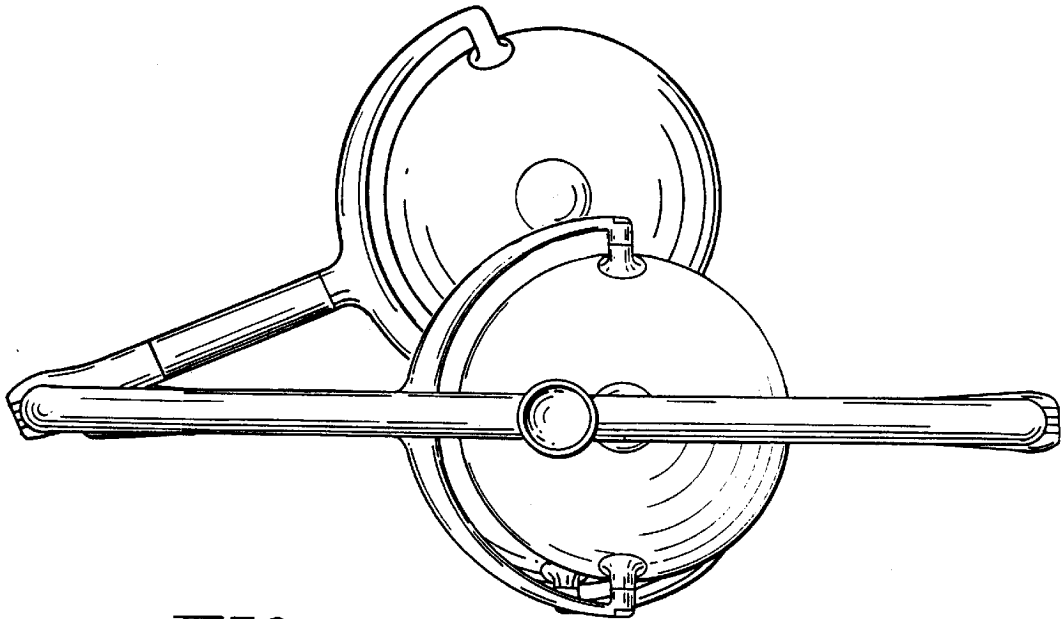


FIG. 18

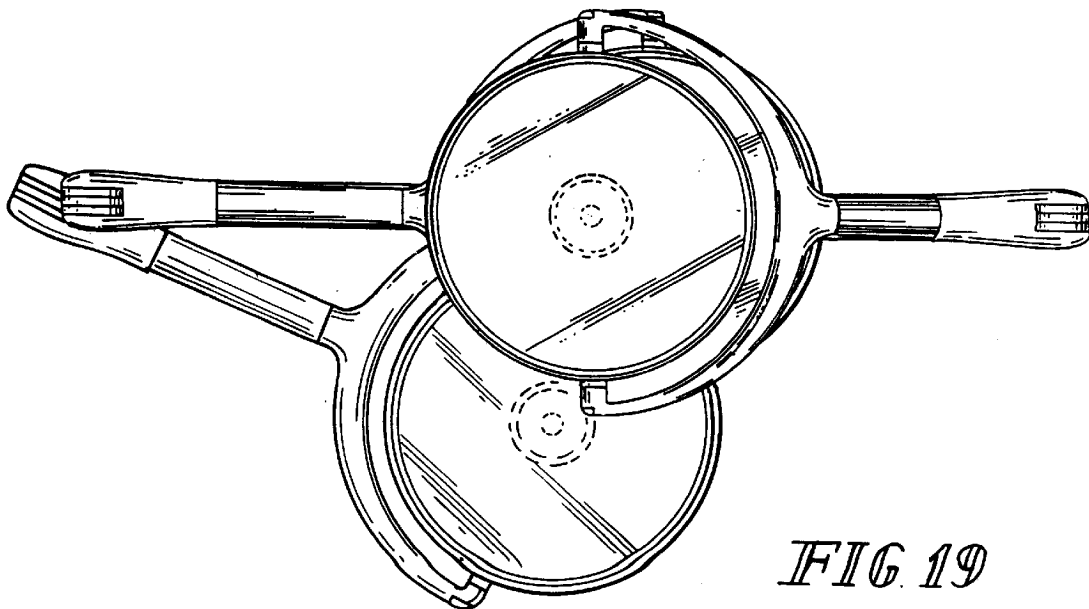


FIG. 19