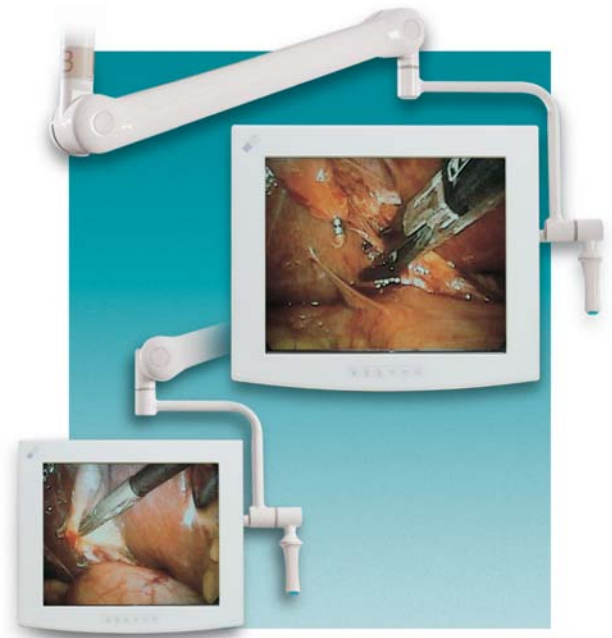




SURGICAL MONITOR

The NUVO Monitor system uses the very latest flat-screen LCD technology. It is centrally mounted about the same axis as the light to allow 300-degree movement around the table. The high-resolution, glare-resistant display makes it the perfect complement to any endoscopic camera system. However, it can also be used to display images from multiple sources, such as remote video cameras, radiology, pathology, auditorium, and more.

This medical-grade device meets or exceeds the stringent safety and performance requirements necessary for use in an OR where superior image quality, true color reproduction, exceptional contrast, and high brightness are required.

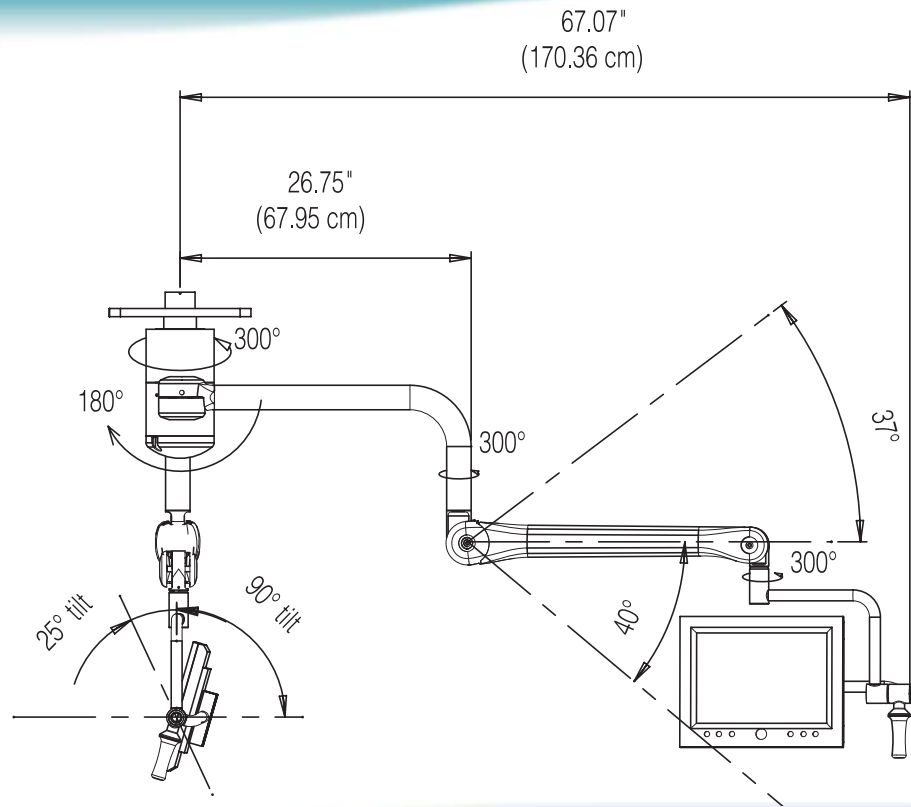


PERFORMANCE SPECIFICATIONS

Power		
Supply	100-240V	50/60 Hz
Power	150 Watts (maximum for 2 monitors)	
Characteristics of our medical grade monitors from National Display Systems		
	15" monitor	19" Monitor
Diagonal/Viewable Area:	15"/38.3 cm	19"/47.3 cm
Brightness:	250 cd/m ²	250 cd/m ²
Resolution:	1024 x 768 (XGA)	1280 x 1024 (SXGA)
Dot Pitch:	0.28 mm	0.29 mm
Viewing Angle:	170° Horizontal 170° Vertical	170° Horizontal 170° Vertical
Contrast Ratio:	300 : 1	600 : 1
Regulatory – Medical Grade:	UL-2601-1 IEC 601.1 Class I Medical Device	UL-2601-1 IEC 601.1 Class I Medical Device
Simultaneous Colors:	16.7 million	16.7 million
Splash Proof:	IPX1	IPX1
Protective Front Overlay:	Yes	Yes
Weight and Load for Dual Monitors and Ceiling Suspension		
	Vertical Load	Moment Load
Monitors Only	175 lbs. (79.5 Kg)	310 ft-lbs. (421 Nm)
with Single Light	275 lbs. (125 Kg)	720 ft-lbs. (977 Nm)
with Dual Light	380 lbs. (172 Kg)	1,160 ft-lbs. (1,573 Nm)
NUVO Supplied Suspension System – Seismic Approved		
Controls		
Monitor Power	On/Off	
Monitor Setup	Menu Controls on Front of Monitor	
Wall Control (Multiple Channel Only)	Input Source Selection	

RANGE OF ARTICULATION

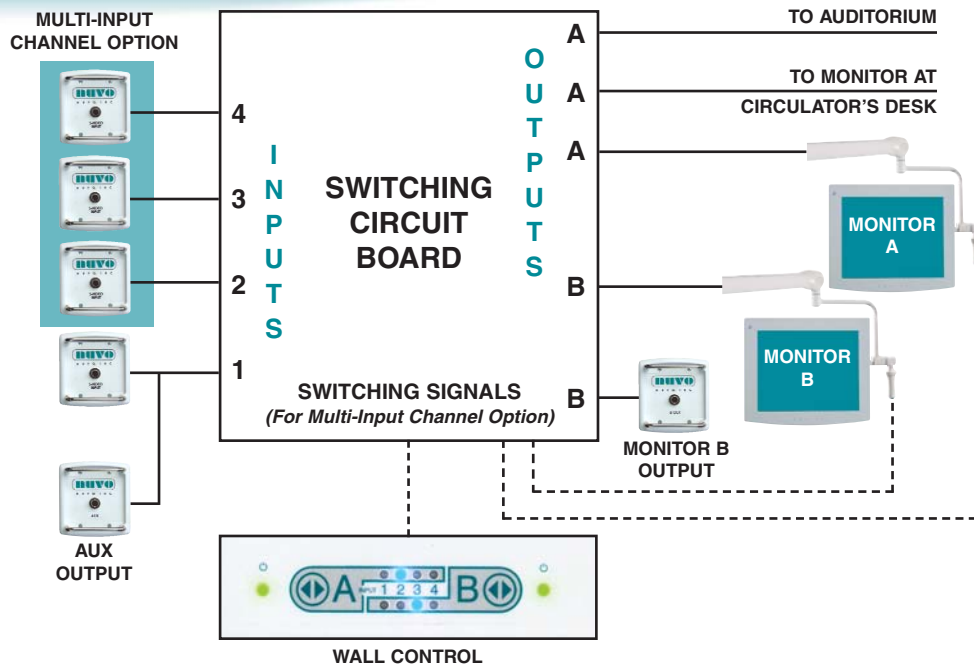
Storage Height (Head Clearance)
78" (198.2 cm)
Low Position (Floor Clearance)
48" (122 cm) with 19" monitor
49" (124.5 cm) with 15" monitor



INPUT / OUTPUT OPTIONS

Video Formats: Standard inputs are S-Video or Composite; Outputs are S-Video. Other formats can be implemented upon request.

Optional signal formats: RGB, DVI, RGBS, SDI, HDTV.



A member of the Medical Illumination International Group

5368 Kuhl Road • Erie, PA 16510-4703
 (800) 663-1152 • (814) 899-4220
 Fax: (814) 899-1410
www.nuvosurgical.com

NUVO, Inc. reserves the right to make changes without notice in design, specifications, and models. The only warranty NUVO, Inc. makes is the express written warranty extended on the sale or rental of its products.
 © 2007 NUVO, Inc.
 ALL RIGHTS RESERVED.

