



SURGICAL LIGHT

The NUVO Surgical Light provides superior performance for all aspects of surgery. The lighthead provides excellent shadow reduction, a high-intensity light pattern and optimal color rendition. Its unique, patented interface allows the user to fully control the light's intensity, pattern, position and orientation from the lighthead.

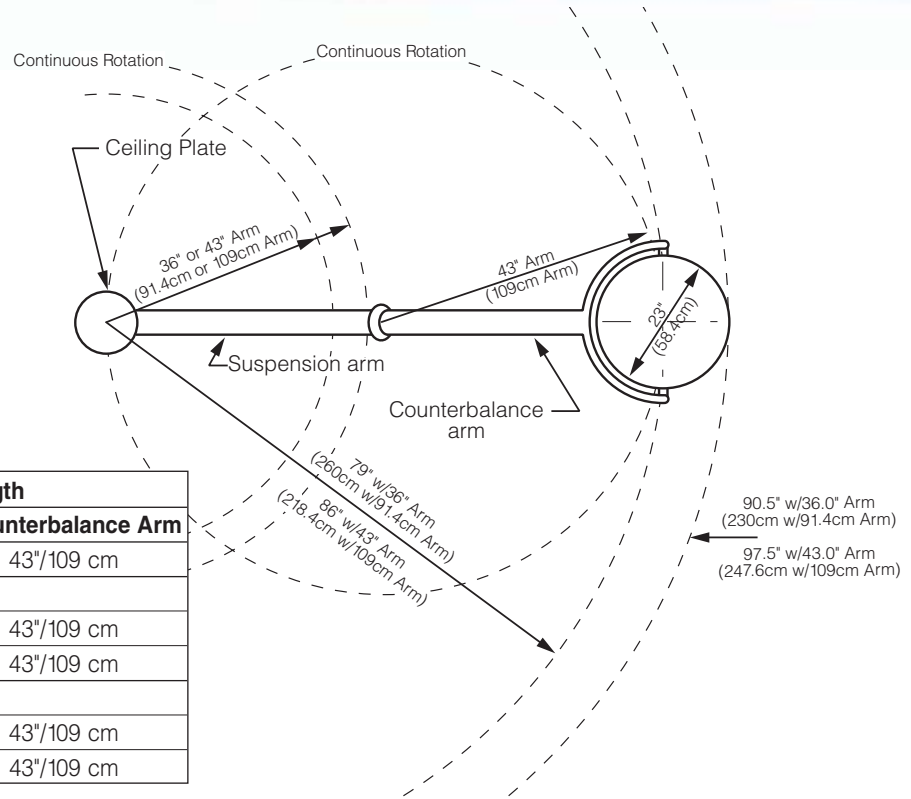
Appropriate for the vast majority of general and specialized surgical procedures including Micro Surgery, Orthopedics, OB/GYN, Ophthalmology, and Cosmetic Surgery.



PERFORMANCE SPECIFICATIONS

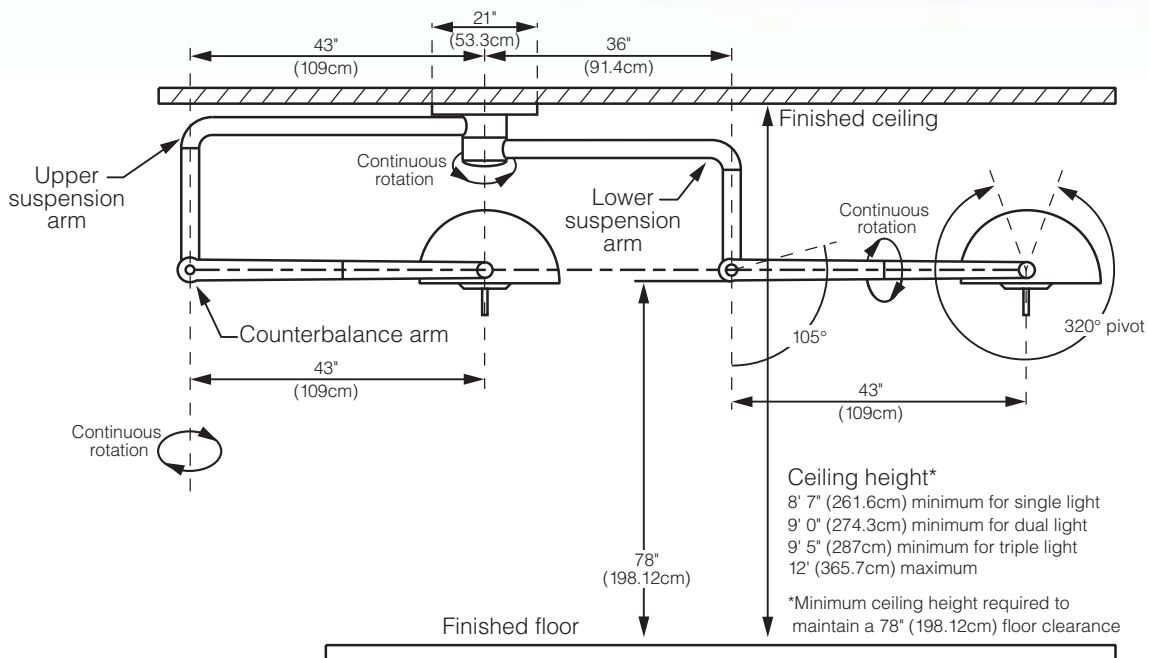
Electrical Input	100V	50/60Hz		
	120V	50/60Hz		
	220V	50/60Hz		
	230 - 240V	50/60Hz		
Power	180 Watts			
Intensity/Lighthead	12,700 Footcandles (137,000 Lux)			
Bulb Type	Tungsten Quartz Xenon/Halogen			
Number of Bulbs	2 (Primary & Automatic Backup)			
Color Temperature	4,300°K			
Depth of Field	28" (70cm) without adjusting the pattern			
Heat to Light Ratio	3.8 $\mu\text{w}/\text{cm}^2\text{-fc}$			
Cavity Penetration	>95% minimum			
Pattern Size	5.5" - 10.0" nominal (14cm - 25cm)			
Weight	Vertical Load	Moment Load		
Single Lighthead	155 lbs.	70 Kg	410 ft. lbs.	556 Nm
Dual Lighthead	260 lbs.	118 Kg	795 ft. lbs.	1078 Nm
Triple Lighthead	365 lbs.	166 Kg	1,160 ft. lbs.	1573 Nm
Controls (Wall Control and Sterile Handle):				
Light	On/Off			
Pattern Adjustment (at Sterile Handle Only)	Continuous Adjustment 5.5" - 10.0" (14cm - 25cm)			
Intensity	Increase/Decrease (5 Steps, Approx. 1,500 footcandles/step)			
Indicators (at the Lighthead and Wall Control Unit):				
Intensity	5 Blue LEDs at each location			
Relamp	Single Amber LED at each location			
Input Power	Single Green LED at each location			

RANGE OF ARTICULATION



Configurations	Arm Length	
	Suspension Arm	Counterbalance Arm
• Single Lighthead	36"/91.4 cm	43"/109 cm
• Dual Lighthead		
– Upper Arm	43"/109 cm	43"/109 cm
– Lower Arm	36"/91.4 cm	43"/109 cm
• Triple Lighthead		
– Upper Arm	43"/109 cm	43"/109 cm
– Lower Arms (2)	36"/91.4 cm	43"/109 cm

RANGE OF CIRCULAR MOTION



5368 Kuhl Road • Erie, Pennsylvania 16510-4703
 (800) 663-1152 • (814) 899-4220 • FAX (814) 899-1410
 www.nuvosurgical.com

NUVO, Inc. reserves the right to make changes without notice in design, specifications, and models. The only warranty NUVO, Inc. makes is the express written warranty extended on the sale or rental of its products.
 © 2003 NUVO, Inc.
 ALL RIGHTS RESERVED.